

NOLEC
SOLAR & LED
LIGHTING

HYPERION SERIES



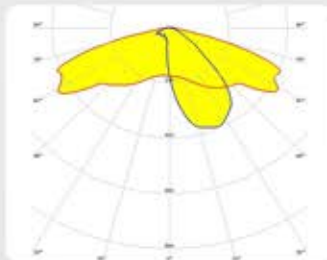
HYPERION SERIES



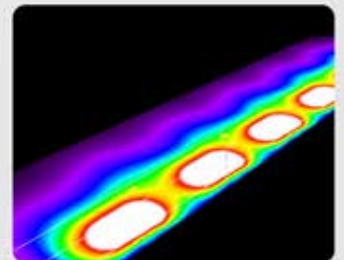
SPECIFICATIONS - HP-5000

Solar Panel (W)	90W
Light Output	5000-6000LM
Battery Capacity	550WH
Battery - Type	Newest-generation LIFEP04 battery
Battery - Service Life	8 Years at 70% DoD
Number of LEDS	48pcs
Light Source - Type	5050
CCT	2700-6500K (Can be customized)
LED Lifetime	100,000 hours to LM80
Optical Efficiency	>93%
Solar Panel - Service Life	25years
Working Time	3-5days
Recommended Pole Height	8-10m
Pole Spacing	40-45m
Packing Size (L x W x H)	1360*150*410mm
Bracket Packing Size (L x W x H)	375*250*180mm
Weight (GW)	25kg
Operating Temperature	-15°C to +70°C
Protection Rating	IP65
Wireless Network	

Zigbee Proprietary Wireless Network allows Remote Management and Control of Lights using Internet or GSM. One gateway (DTU) per200 lights and all the gateways report to a central control room.



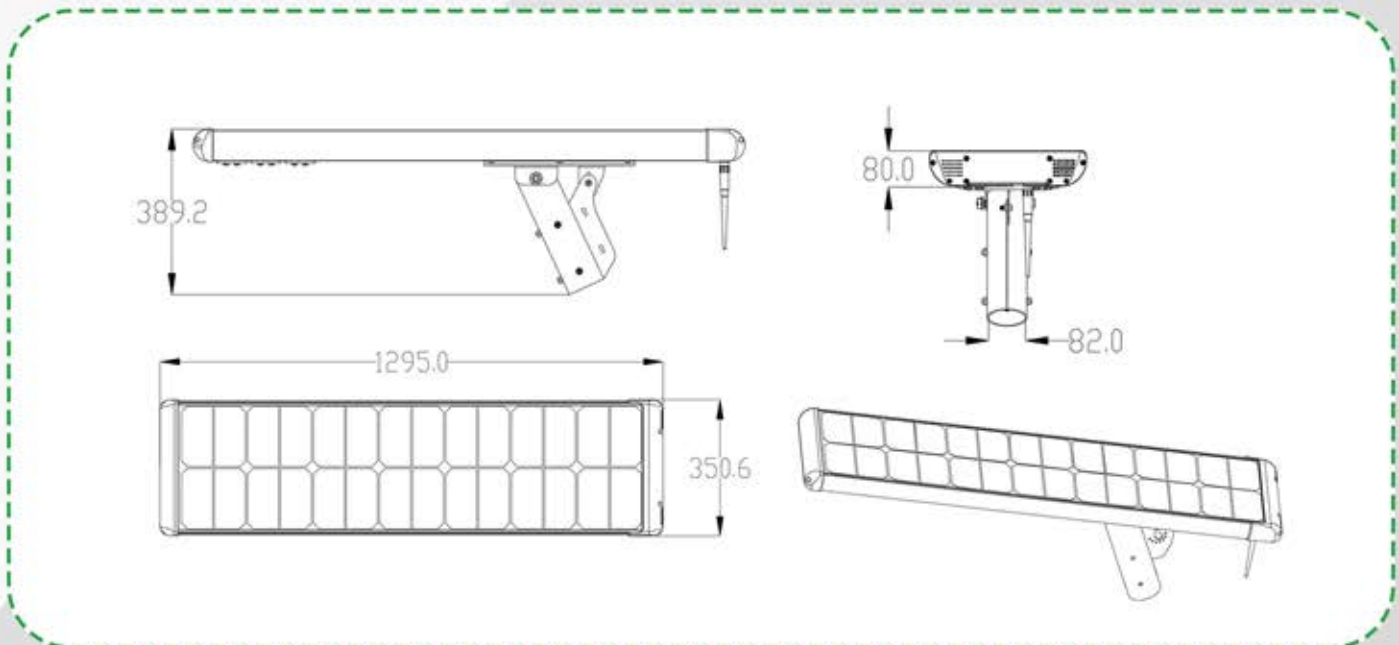
LIGHT DISTRIBUTION CURVE



FALSE COLOR RENDERING



HYPERION SERIES



HYPERION SERIES

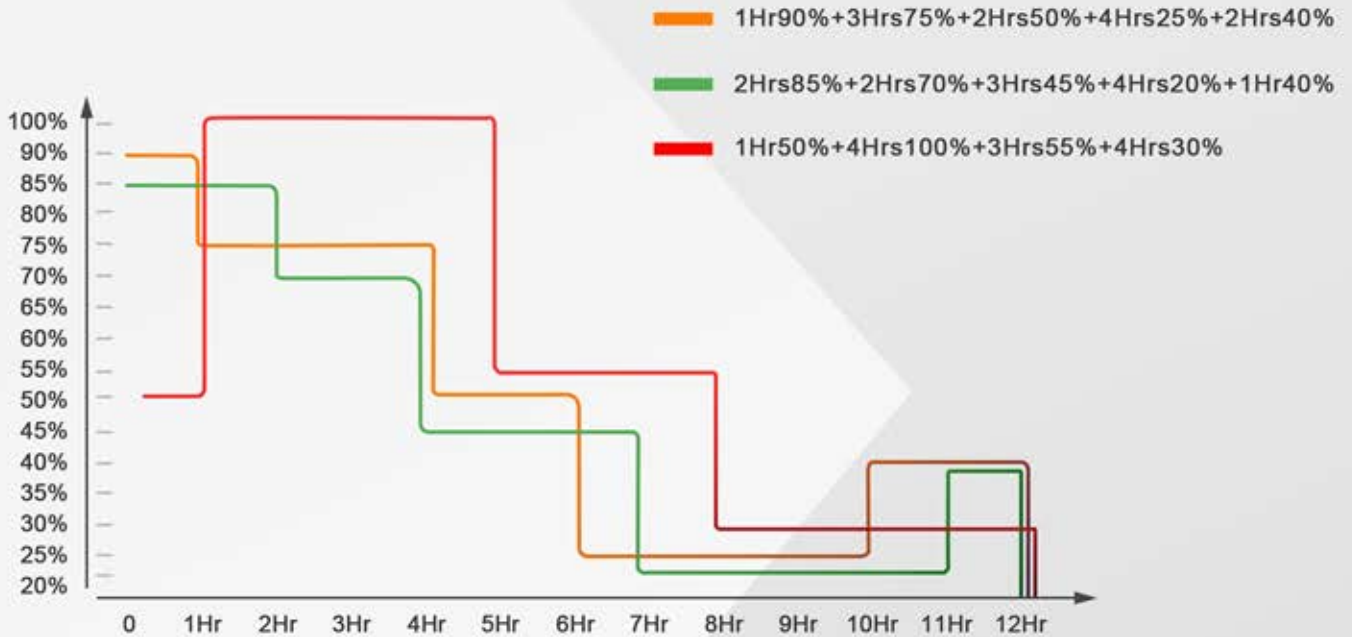


	ITEM	PARTS	QTY	PICTURE
Lamp packing	1	Street Light body	1SET	
	2	Instruction manual	1SET	
Bracket packing	1	Pole fixing bracket	1SET	
	2	Tailsock fixing bracket	1SET	
	3	Screw M14*120mm	1SET	
	4	Screw M8*20mm	1SET	
	5	Screw M8*20mm	6SETS	
	6	Screw M8*16mm	6SETS	

WORKING MODE (can be customized)



Brightness



ADAPTIVE ROAD TYPE SIMULATION

Height:7m; Width:7m; Pole distance:20m; lighting arrange on one side simulated data:

Maintenance factor:0.67
Grid:10 x 6 Points

DIAL_{ux}

Lm [cd/m ²] ≥ 0.75	U _o ≥ 0.40	U _I ≥ 0.60	TI [%] ≤ 15	EIR ≥ 0.30
✓ 0.78	✓ 0.52	✓ 0.81	✓ 15	✓ 0.32

Horizontal illuminance

